



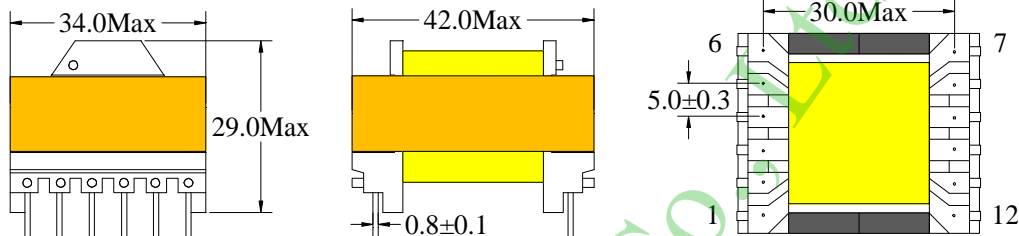
High-frequency transformer

ERL28 Series

Parameters/Dimensions:

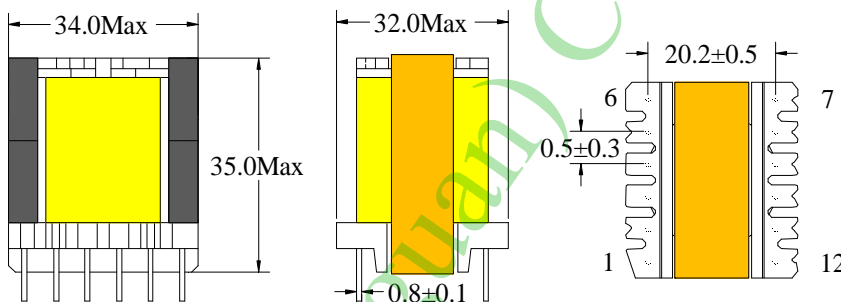
ERL28 Tpye 1

- Information:
 Shape:ERL28
 1 power:85W
 2 Mounting Orientation: Horizontal
 3 Size: 34 (W) *42(L) * 29 (H)
 4 Effective Ae (mm²):88.3



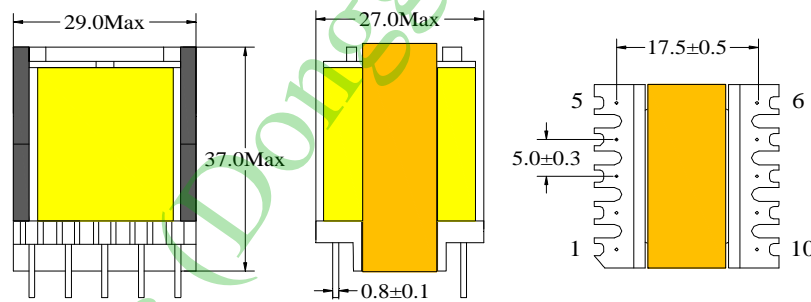
ERL28 Tpye 2

- Information:
 Shape:ERL28
 1 Power:85W
 2 Mounting Orientation: Vertical
 3 Size: 34 (W) *32(L) * 35(H)
 4 Effective Ae (mm²):88.3



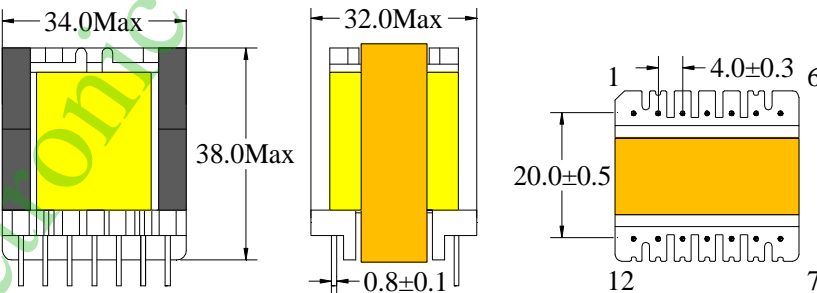
ERL28 Tpye3

- Information:
 Shape:ERL28
 1 Power:85W
 2 Mounting Orientation: Vertical
 3 Size: 29 (W) *27(L) * 37(H)
 4 Effective Ae (mm²):88.3



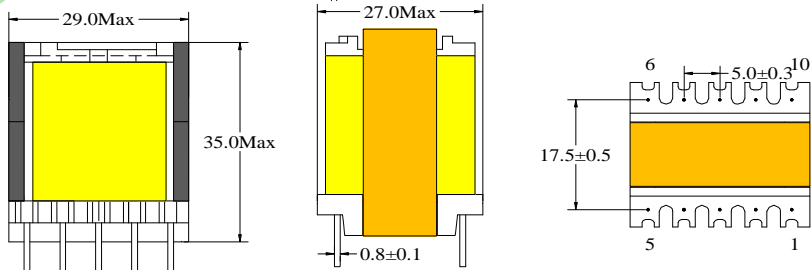
ERL28 Tpye 4

- Information:
 Shape:ERL28
 1 Power:85W
 2 Mounting Orientation: Vertical
 3 Size: 34(W) *32(L) * 38(H)
 4 Effective Ae (mm²):88.3



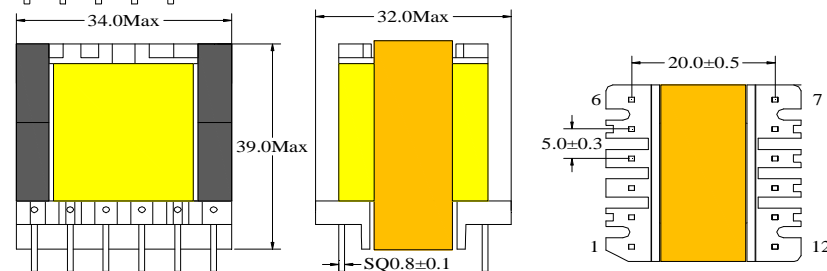
ERL28 Tpye 5

- Information:
 Shape:ERL28
 1 Power:85W
 2 Mounting Orientation: Vertical
 3 Size: 29(W) *27(L) * 35(H)
 4 Effective Ae (mm²):88.3



ERL28 Tpye 6

- Information:
 Shape:ERL28
 1 Power:85W
 2 Mounting Orientation: Vertical
 3 Size: 34(W) *32(L) * 39(H)
 4 Effective Ae (mm²):88.3



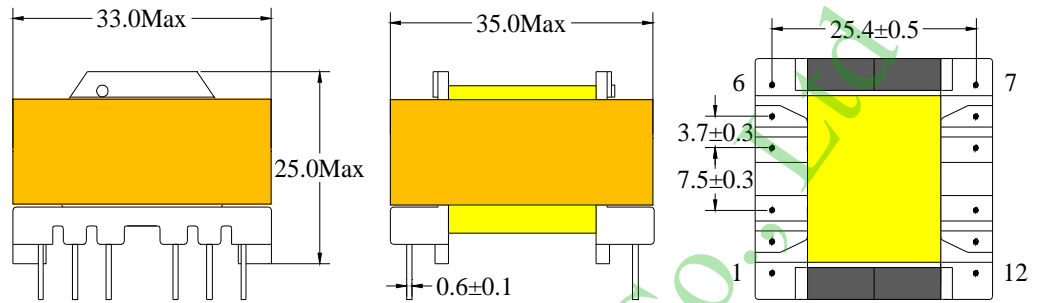


High-frequency transformer

ERL28 Series

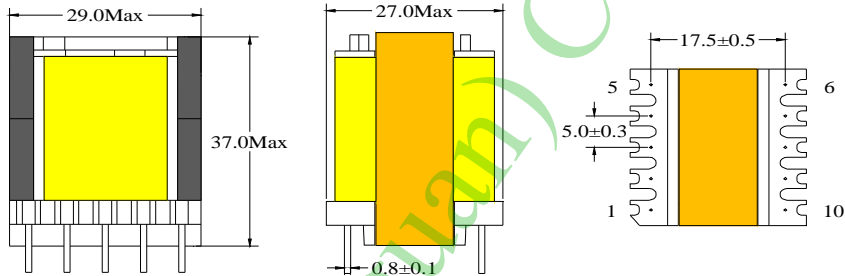
Parameters/Dimensions: ERL28 Type 7

- Information:
 Shape:ERL28
 1 Power:85W
 2 Mounting Orientation: Horizontal
 3 Size: 33(W) *35(L) * 25(H)
 4 Effective Ae (mm²):88.3



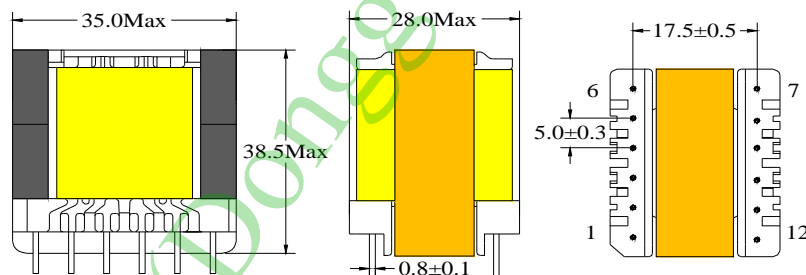
ERL28 Type 8

- Information:
 Shape:ERL28
 1 Power:85W
 2 Mounting Orientation: Vertical
 3 Size: 29(W) *27(L) * 37(H)
 4 Effective Ae (mm²):88.3



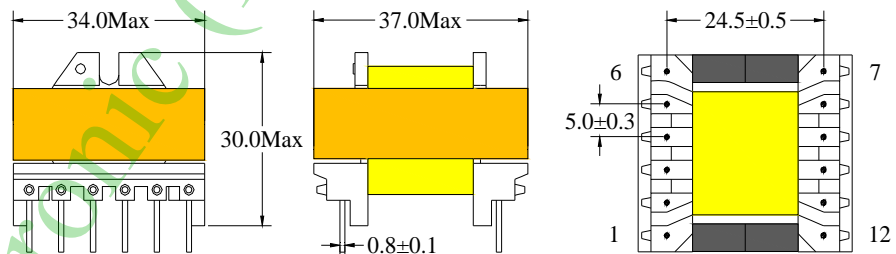
ERL28 Type 9

- Information:
 Shape:ERL28
 1 Power:85W
 2 Mounting Orientation: Vertical
 3 Size: 35(W) *28(L) * 38.5(H)
 4 Effective Ae (mm²):88.3



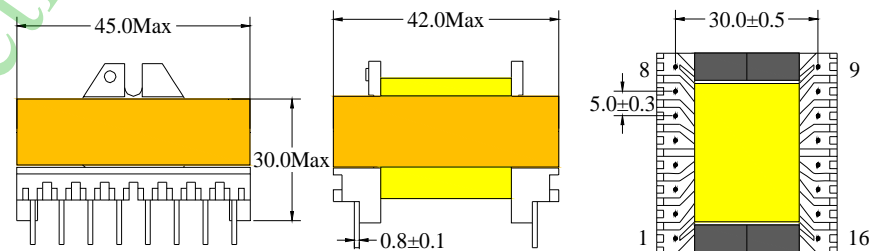
ERL28 Type 10

- Information:
 Shape:ERL28
 1 Power:85W
 2 Mounting Orientation:Horizontal
 3 Size: 34(W) *37(L) * 30(H)
 4 Effective Ae (mm²):88.3



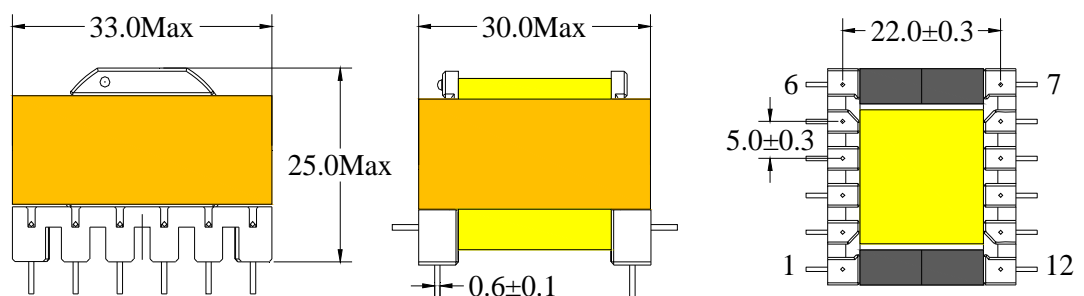
ERL28 Type 11

- Information:
 Shape:ERL28
 1 Power:85W
 2 Mounting Orientation: Horizontal
 3 Size: 45(W) *42(L) * 30(H)
 4 Effective Ae (mm²):88.3



ERL28 Type 12

- Information:
 Shape:ERL28
 1 Power:85W
 2 Mounting Orientation: Horizontal
 3 Size: 33(W) *30(L) *25(H)
 4 Effective Ae (mm²):88.3



Note:

Bobbin type listed in the traditional style, transformer design parameters to customer needs or to inject prevail.

ERL series high-frequency transformer features:

Coupled good location, in the column for the round, easy winding and winding area increases, can be designed to power large and small leakage inductance of the transformer.

Uses:

Applied to the LLC resonant inductor, DC-DC converters, switching power supply adapter and other main transformer

P&Z Electronic (Dongguan) Co., Ltd